

R-Series

General Performance, 2-stage, high attenuation

12704 W. Arden Place
Butler, WI 53007 USA

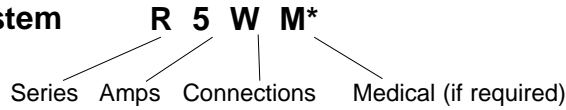
Phone: 262-790-0092

Fax: 262-790-0095

Website: www.emissioncontrol.com

E-mail: info@emissioncontrol.com

Part Number System



Agency Approvals:



Part Number	Current Rating Amps	Schematic
R3Q	3	
R3W	3	
R5Q	5	
R5W	5	

Electrical Specs

Rated Voltage: 250VAC 50/60 Hz.
 Rated Current: @ 40° C
 Hipot Rating:
 Line to Ground: 1800 VAC, 2 sec.
 Line to Line: 1700 VDC, 2 sec.
 Climatic Category: HPF (25/085/21)
 Maximum leakage current:
 each line to ground
 @ 250 VAC 50 Hz .23ma

Minimum insertion loss — dB (50 ohm circuit)

Current Rating	Mode	Frequency - MHZ						
		.05	.15	.5	1	5	10	30
3	Common	18	43	65	65	65	65	61
	Differential	11	10	47	65	65	65	62
5	Common	16	24	51	61	63	57	48
	Differential	11	17	41	59	61	61	54

* Low leakage medical versions
 Available to meet UL544

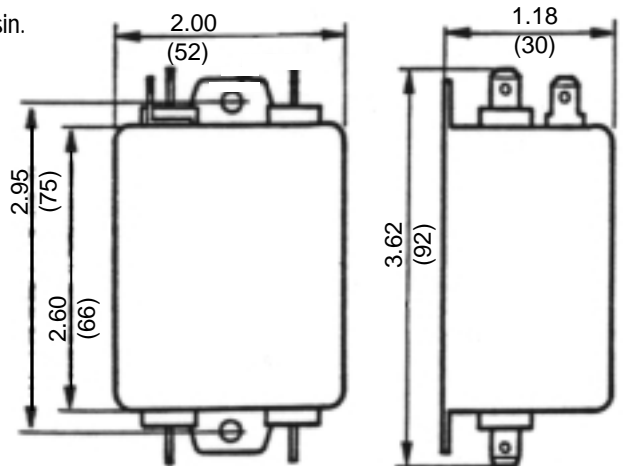
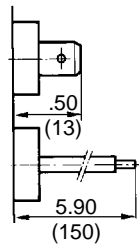
Mechanical Specs

Construction: Metal case and cover. Internal components and terminations sealed with self-extinguishing resin.

Connections:

Q = Quick-Connects
 .25"(6.3)x.03"(0.8)

W= Wire Leads
 AWG 16



Dimensions: inches
 (mm)

(2) Mounting Holes .20 DIA
 (5.1)