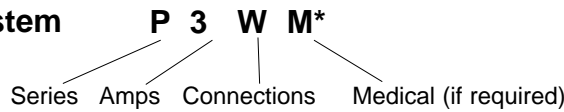


P-Series

High Performance, 2-stage, very high attenuation

12704 W. Arden Place
 Butler, WI 53007 USA
Phone: 262-790-0092
Fax: 262-790-0095
Website: www.emissioncontrol.com
E-mail: info@emissioncontrol.com

Part Number System

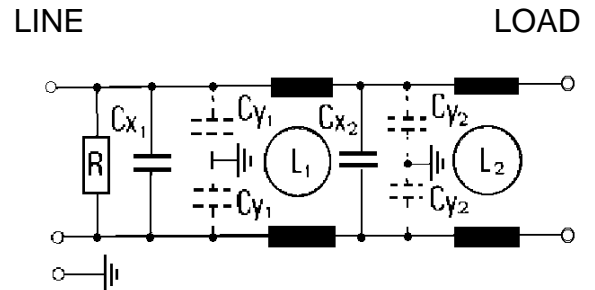


Agency Approvals:



Part Number Current Rating Amps Schematic

P3Q	2.5
P3W	2.5
P6Q	5
P6W	5



Electrical Specs

Rated Voltage: 250VAC 50/60 Hz.
 Rated Current: @ 40° C
 Hipot Rating:
 Line to Ground: 1800 VAC, 2 sec.
 Line to Line: 1700 VDC, 2 sec.
 Climatic Category: HPF (25/085/21)
 Maximum leakage current:
 each line to ground
 @ 250 VAC 50 Hz .23ma

Minimum insertion loss — dB (50 ohm circuit)

Current Rating	Mode	Frequency - MHZ							
		.01	.05	.15	.5	1	5	10	30
3	Common	21	25	64	64	65	62	58	50
	Differential	4	8	48	62	59	57	57	57
6	Common	21	26	65	65	63	51	43	14
	Differential	4	14	44	51	55	59	59	57

* Low leakage medical versions
 Available to meet UL544

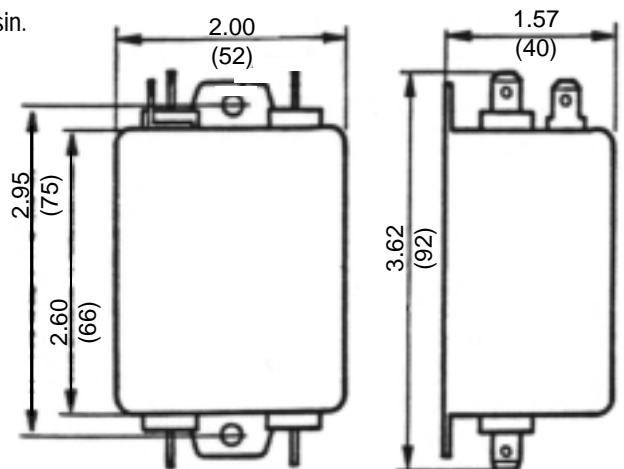
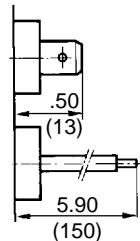
Mechanical Specs

Construction: Metal case and cover. Internal components and terminations sealed with self-extinguishing resin.

Connections:

Q = Quick-Connects
 .25"(6.3)x.03"(0.8)

W = Wire Leads
 AWG 16



Dimensions: $\frac{\text{inches}}{\text{(mm)}}$

(2) Mounting Holes .20 DIA
 (5.1)